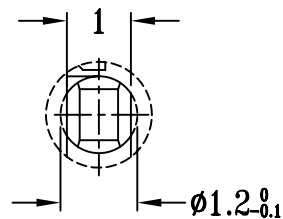
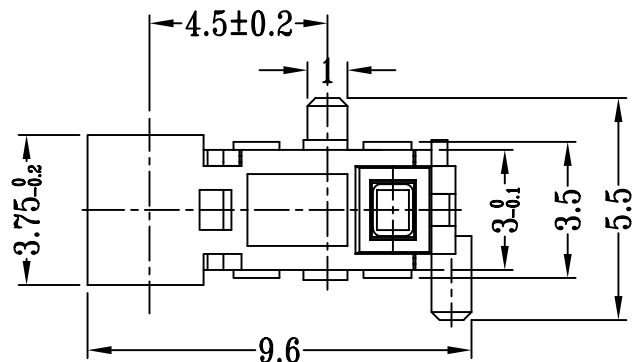
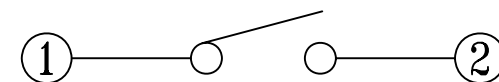


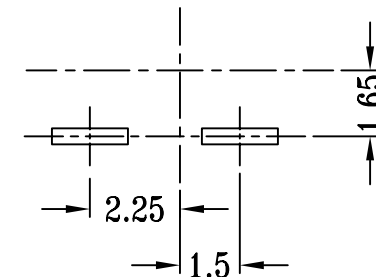
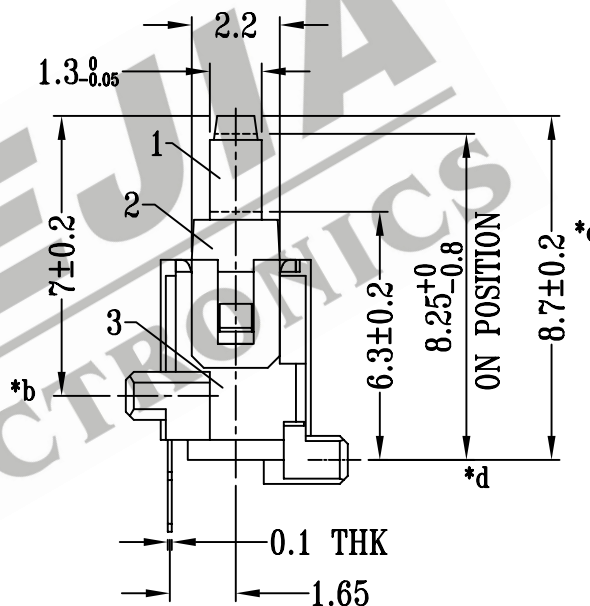
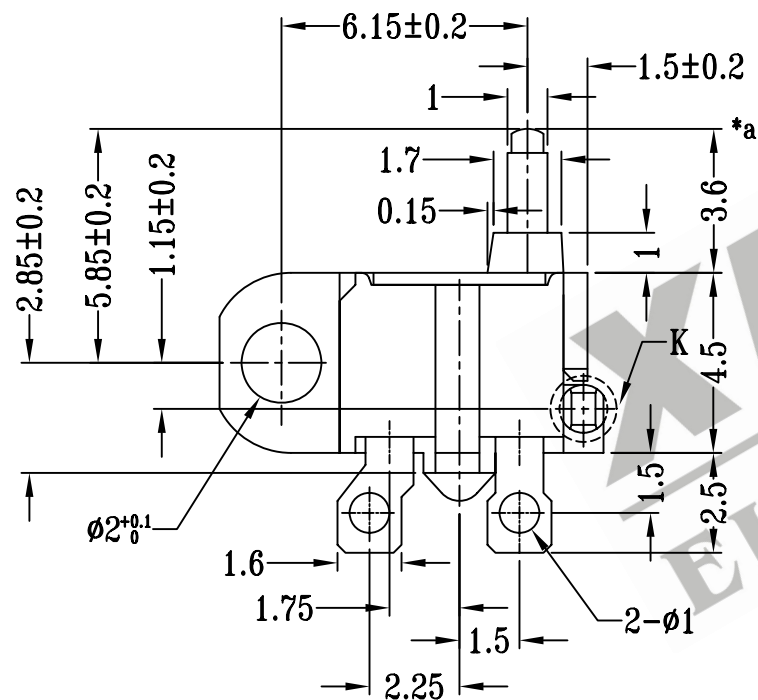
CAD FILE:



VIEW:K
SCALE:8:1



SCHEMATIC



P.C.B LAYOUT

注：“*”表示关键尺寸（4个）

8					TOLERANCE UNLESS SPECIFIED	SHENZHEN XIEJIA ELECTRONICS CO.,LTD.						
7												
6					WITHIN : 1.5±0.1mm OVER : 1.5±0.2mm	ISSUE	DATE	DESCRIPTIONS OF REVISION		APPD.		
5												
4	CONTACT	PBS	1	Ag CLAD	TITLE : TACT SWITCH			UNIT : mm		DRWG NO.: XJ-DR-TC0032-00		
3	CASE	PPS/PBS C5191R-1/2H	1	BLACK/Ag PLATED OVER Ni PLATED								
2	COVER	POM	1	BLACK	MODEL: TC-0032			SCALE: 5:1		DWN.	ZHOUYU	2004-11-30
1	KNOB	POM	1	BLACK						CHK'D	FANGYING	2004-11-30
NO.	PARTS	MATERIALS	Q'TY	FINISH	ALL MATERIALS MUST BE COMPLIANT TO ROHS			APPD.	KANGXINAN	2004-11-30		